

**® Light Engineered Displays, Inc.**Graphic Annunciators * Water Leak Detection
Fireman's Smoke Control Panels * ARA Systems109 Portwatch Way Wilmington, N.C. 28412 Phone: (800) 251-2512 Fax: (800) 251-9878
Internet: www.ledinc.com Email: sales@ledinc.com

SIGNALING



LISTED

Technical Specifications

1. Standby Voltage
12 or 24 vdc
2. Standby Current
0 ma
3. Alarm Current
Increases approximately 20 ma per activated indicator
4. Indicators
*Super Bright LED's "Non-Polarized"
Red for Alarm • Yellow for Trouble*
5. Activating Voltage
*Positive or Negative
12 or 24 vdc
"Non-Polarized" LEDs allow for any configuration*
6. Operating Temperature
32°-100°F (0°-38°C)
7. Intended for indoor / dry location

**DA-15AS (left)
& DA-5A (right)**

General Description

The DA Series Annunciators are available in five, ten, fifteen, twenty, twenty-five and thirty zone models. The annunciators can have Red (Alarm) LEDs and Yellow (Trouble) LEDs per zone. General System Trouble sonalert / LED with Silence Switch is available. This feature is operated from a designated trouble contact in the FACP

These directory annunciators can also have a common trouble audible, silence switch and trouble indicator. Annunciators use high-brightness, "Non-Polarized" LED indicators. The annunciators will operate with control panels that are common positive or common negative. The slide-out zone strips can accommodate up to 22 typed characters per zone. There are five zones per gang. When the system trouble audible is needed, an additional gang is required. The annunciators have bright red aluminum faceplates that mount directly to standard gang switch boxes. Units can be either flush or surface mounted. Optional weather-proof gaskets are available for mounting annunciators to standard weatherproof boxes.

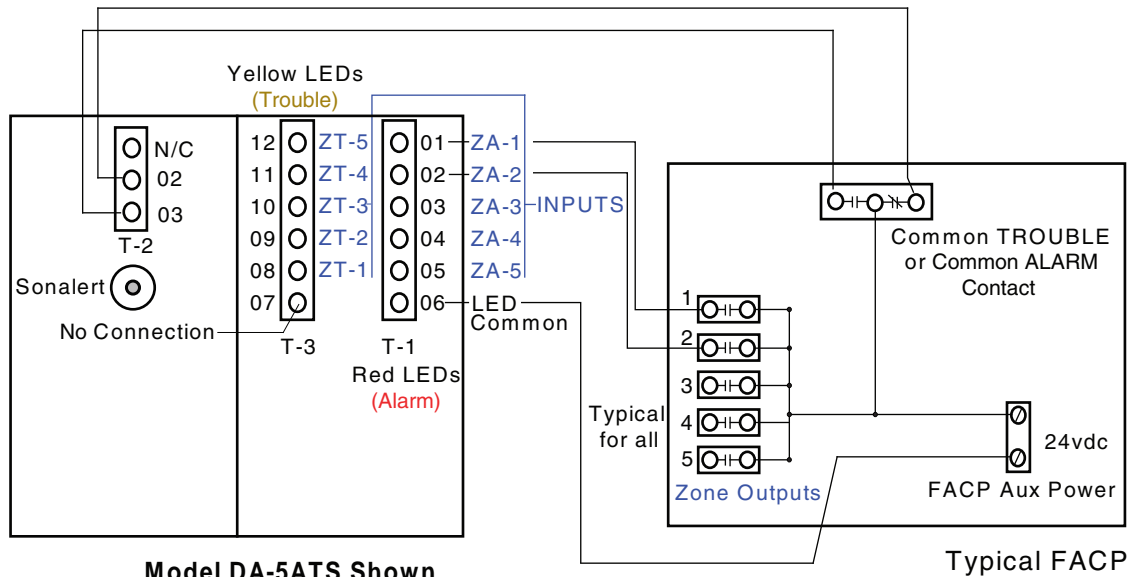


DIRECTORY ANNUNCIATORS

Specifications

Model Number	Number of Zones		Common Trouble LED	Common Trouble Audible	Silence Switch	Surface Mounting Wiremold Catalog Number	Flush Mounting Standard Gangable Switch Electrical Box	Weatherproof Gasket
	Alarm	Trouble						
DA-5A	5					5744S-1	1	DA-RT-1
DA-5AS	5		•	•	•	5744S-2	2	DA-RT-2
DA-5AT	5	5				5744S-1	1	DA-RT-1
DA-5ATS	5	5	•	•	•	5744S-2	2	DA-RT-2
DA-10A	10					5744S-2	2	DA-RT-2
DA-10AS	10		•	•	•	5744S-3	3	DA-RT-3
DA-10AT	10	10				5744S-2	2	DA-RT-2
DA-10ATS	10	10	•	•	•	5744S-3	3	DA-RT-3
DA-15A	15					5744S-3	3	DA-RT-3
DA-15AS	15		•	•	•	N/A	4	DA-RT-4
DA-15AT	15	15				N/A	3	DA-RT-3
DA-15ATS	15	15	•	•	•	N/A	4	DA-RT-4
DA-20A	20					N/A	4	DA-RT-4
DA-20AS	20		•	•	•	N/A	5	DA-RT-5
DA-20AT	20	20				N/A	4	DA-RT-4
DA-20ATS	20	20	•	•	•	N/A	5	DA-RT-5
DA-25A	25					N/A	5	DA-RT-5
DA-25AS	25		•	•	•	N/A	6	DA-RT-6
DA-25AT	25					N/A	5	DA-RT-5
DA-25ATS	25	25	•	•	•	N/A	6	DA-RT-6
DA-30A	30					N/A	6	DA-RT-6
DA-30AT	30	30				N/A	6	DA-RT-6

Wiring Diagram



- NOTES:
- 1) Annunciator operates at 12 to 24 volts. One common connection is required for all LEDs plus a switch leg to activate each LED input. The DA-Series will operate on a common (+) or (-).
 - 2) Although the LEDs are non-polarized, the sonalert is a polarized device. The sonalert must be plugged-in according to your system's requirements.
 - 3) The DA-Series sonalert does NOT self-activate. There is no diode buss on the circuit board. The sonalert is activated only by your common Alarm contact, or your common system Trouble contact, as indicated by the above diagram.