



® *Light Engineered Displays, Inc.*

Graphic Annunciators * Water Leak Detection
Fireman's Smoke Control Panels * ARA Systems

109 Portwatch Way Wilmington, N.C. 28412 Phone: (800) 251-2512 Fax: (800) 251-9878
Internet: www.ledinc.com Email: sales@ledinc.com

Features

- Meets ADA requirements
- Provides audible and visual communication
- Easy push-button operation
- Secure key-locked enclosure
- Plenty of room for wiring
- Dependable solid-state circuits
- Intercom voice communication
- Panel size - 9"w x 18"h x 4"d



Model AV-8/0918

General Description

Area of Rescue Assistance system shall have push-button control circuits and indicator lights for Take and Call functions. The Control Panel shall include power supply, status indicators, area selector switches and system test button. The components shall be mounted on an aluminum faceplate and clearly marked for their respective uses. The faceplate shall be surrounded by an extruded aluminum frame with a hinge for attachment to a 4" deep enclosure. The faceplate assembly will swing open for easy access and is key-lockable closed to prevent tampering.

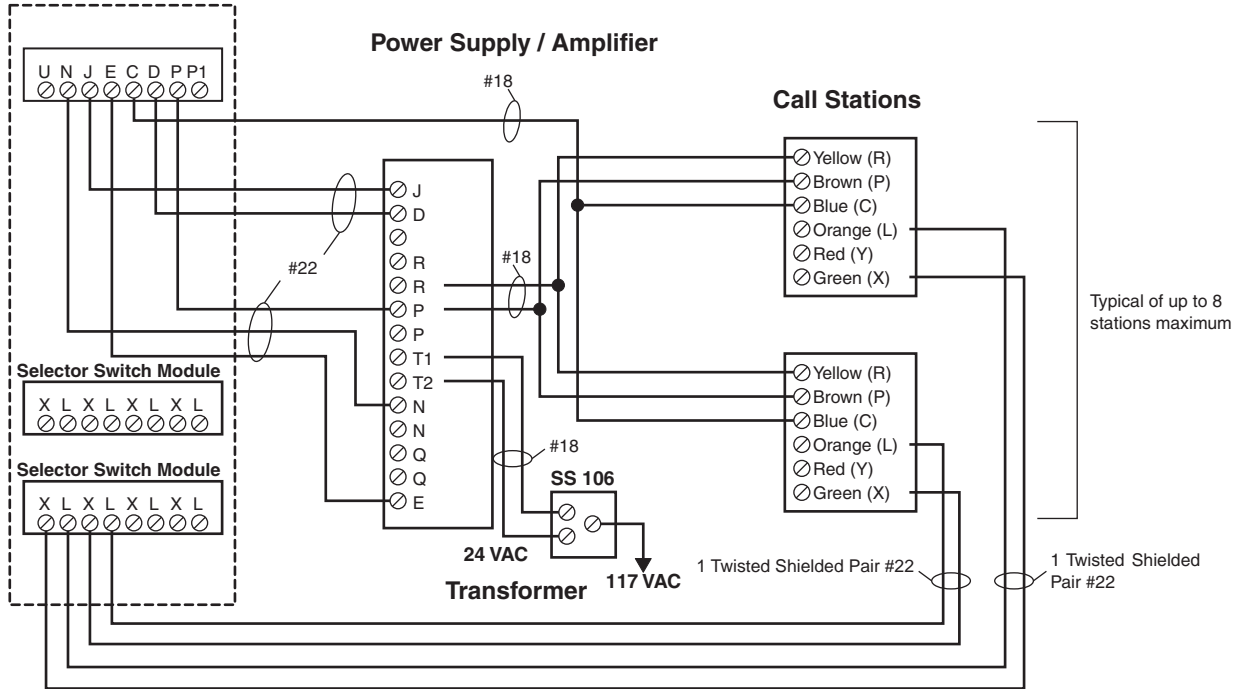
The system shall allow for connection of up to eight remote ARA Call Stations. There shall be both visual and audible indications when calls are placed. Additionally, the system can provide a two-way voice communication path to each selected call station.



AREA OF RESCUE ASSISTANCE PANEL

Typical Wiring Diagram

Components Mounted On Door



Notes

1. Components may be oriented differently than shown. Pay close attention to terminal identifications.
2. Connect to a 117 VAC 60 hz. circuit. Maximum current draw is 40 watts. Use 18 gauge wire. Must conform to local codes.
3. Wires must be shielded, unless run in conduit. When shielded cable is used, the drain wire replaces the conductor connected to terminal C on the Control Module. Connect all shield drains to terminal.