



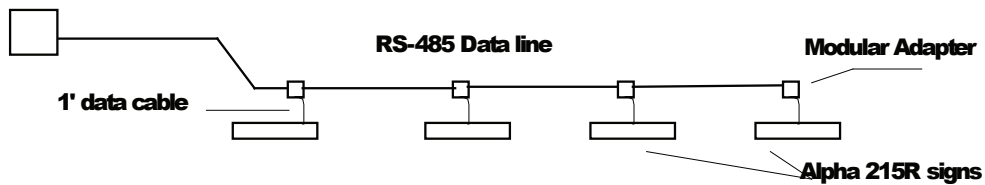
® Light Engineered Displays, Inc.

Graphic Annunciators * Water Leak Detection
Fireman's Smoke Control Panels * ARA Systems

109 Portwatch Way Wilmington, N.C. 28412 Phone: (800) 251-2512 Fax: (800) 251-9878
Internet: www.ledinc.com Email: sales@ledinc.com

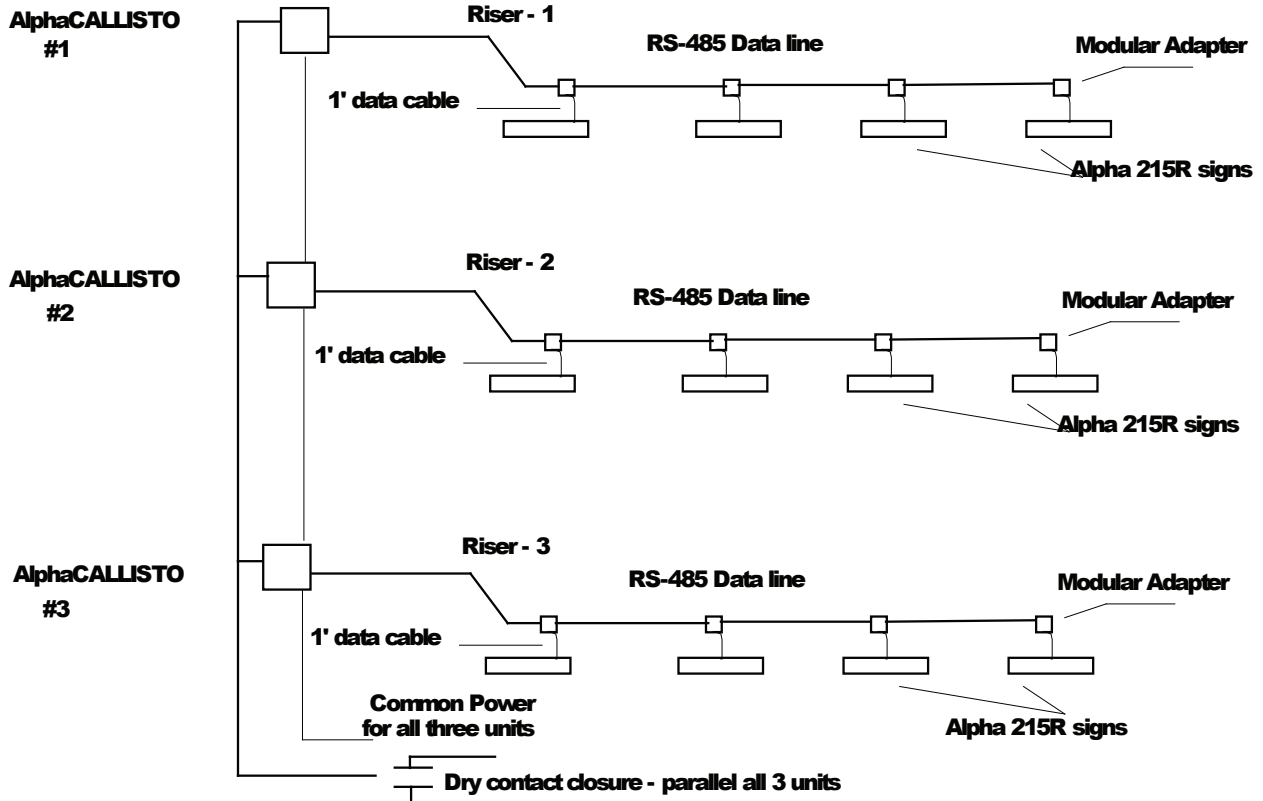
MASS NOTIFICATION SYSTEM SERIES

Data convertor



NOTE: The above represents a typical installation.
The signs are basically in parallel on the data line.

4 to 10 signs typical



Customer is concerned about exceeding 4000' feet total.

Customer wants, as an example, to create 3 risers with standard sign connections each riser.